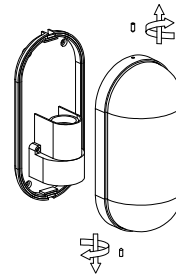
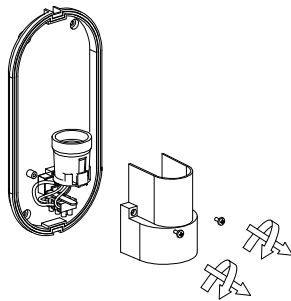


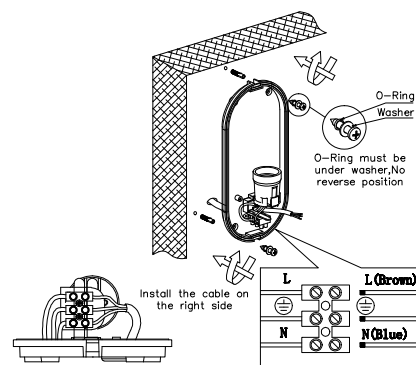
1. Turn off the general switch



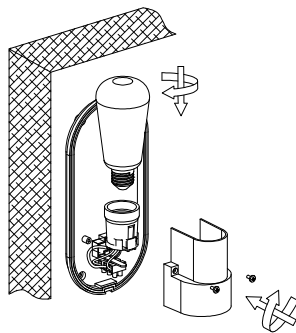
2. Untie side screws & remove the lid



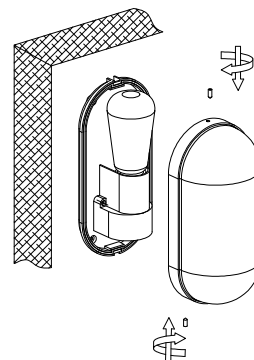
3. Untie screws



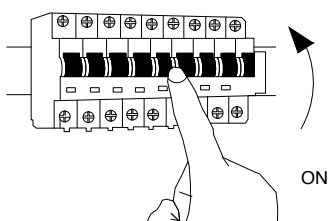
4. Install the cable, tie up screws connect wires



5. Tie up screws & the bulb



6. Tie up screws



7. Turn on the general switch

