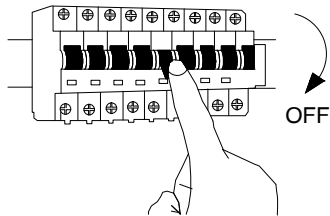
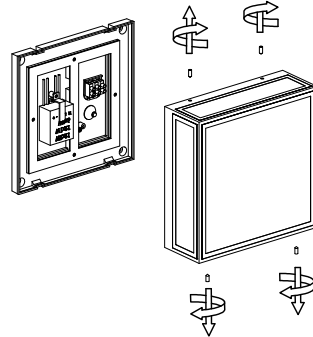


1



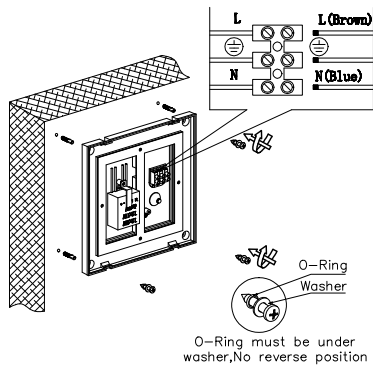
Turn off the general switch

2



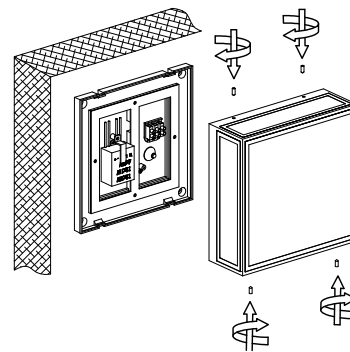
Untie side screws & remove lid

3



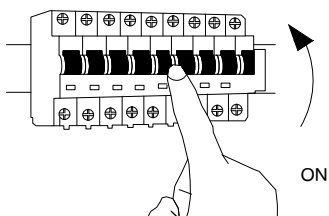
Install cable & apply anchors with screws to make base stable

4



Apply the lid by tying up the side screws

5



Turn on the general switch

6

