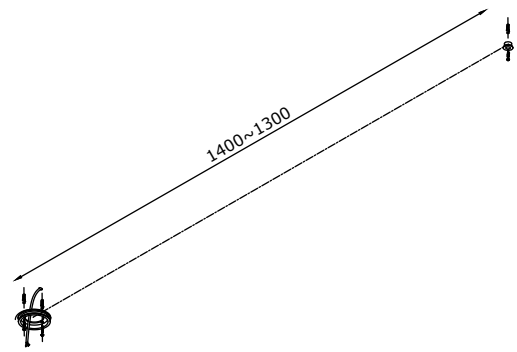
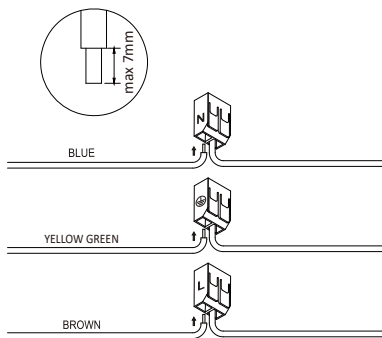


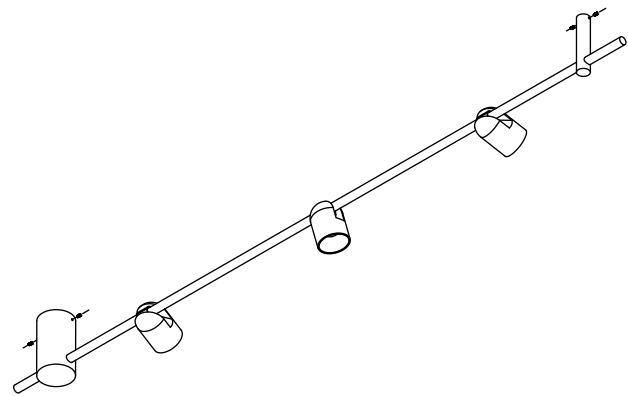
1. Turn off the general Switch



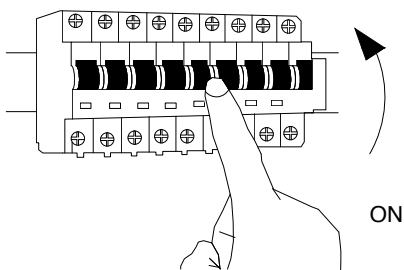
2. Align, mark and drill holes to apply the screws



3. Connect the wires



4. Apply the side screws



5. Turn on the general Switch

