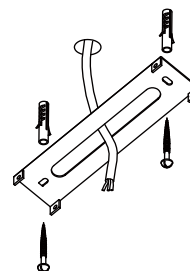
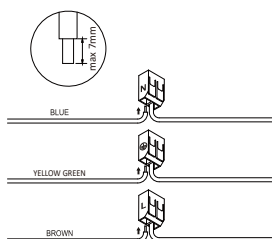


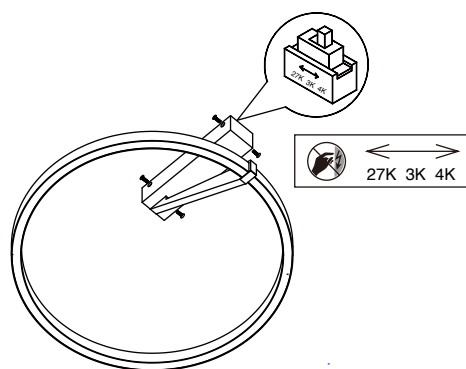
1. Turn off the general Switch



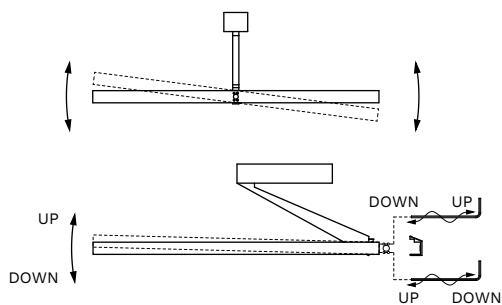
2. Align, mark and drill holes to apply the screws



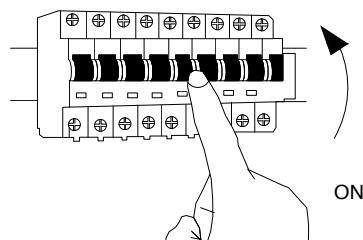
3. Connect the 3 wires



4. Apply the side screws



5. Adjust the lamp body to a horizontal position



6. Turn on the general Switch

