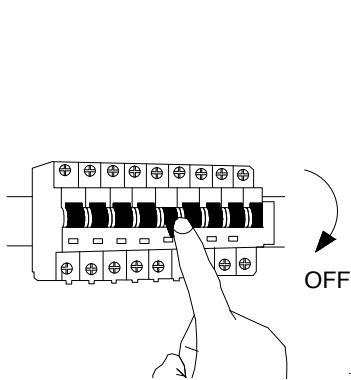
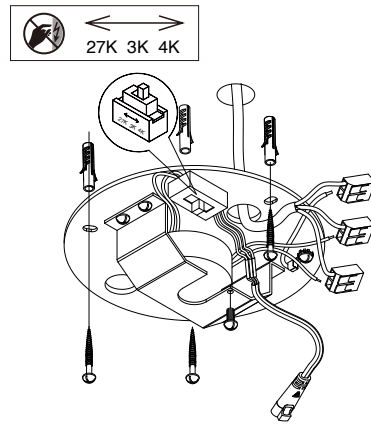


NOVA LUCE

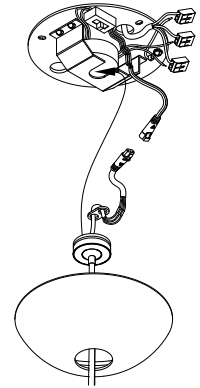
9088138



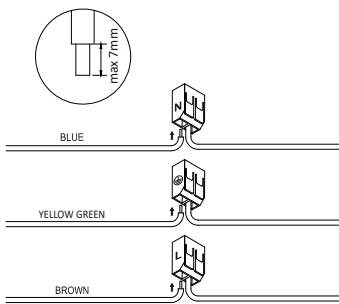
1. Turn off the general Switch



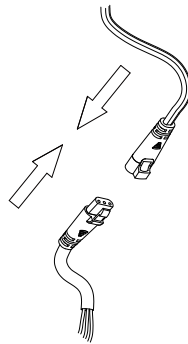
2. Apply plastic anchors & fix the screws to make it stable



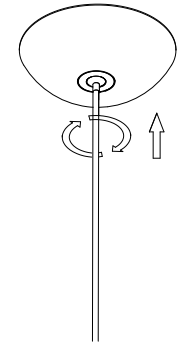
3. Insert the pendant onto place for connecting the wires



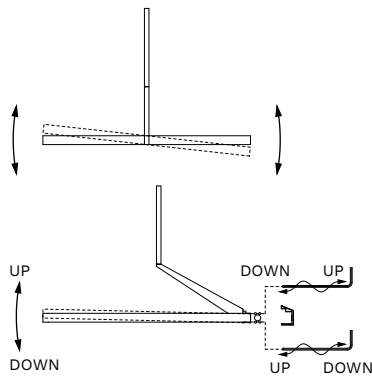
4. Connect the 3 wires



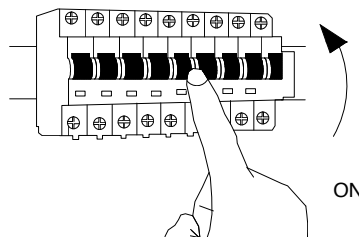
5. Plug wires in, by clicking them



6. By rotating, apply the canopy



7. Adjust the lamp body to a horizontal position



8. Turn on the general Switch

