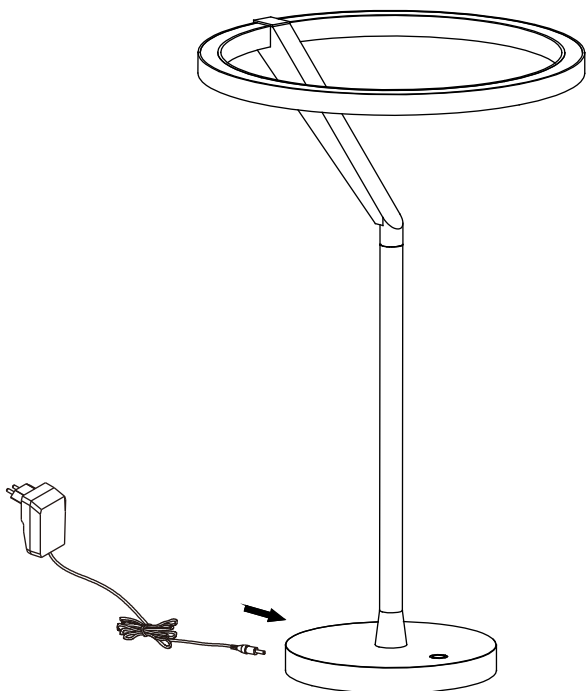
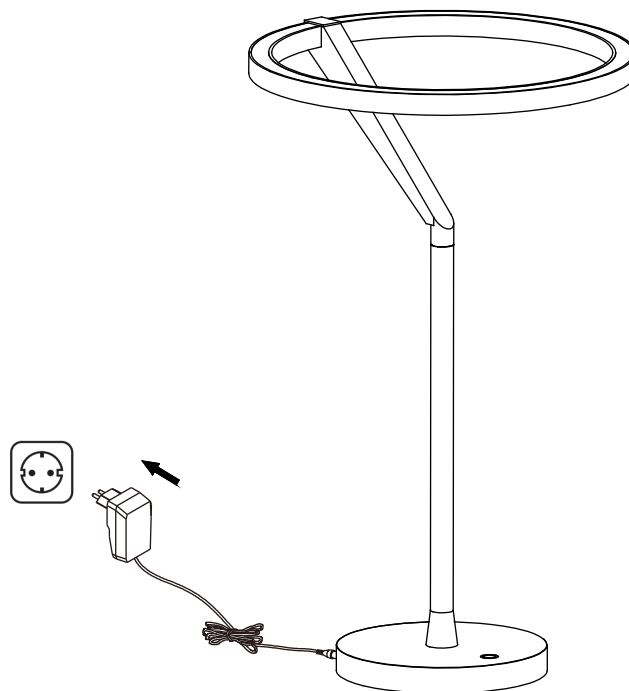


# NOVA LUCE

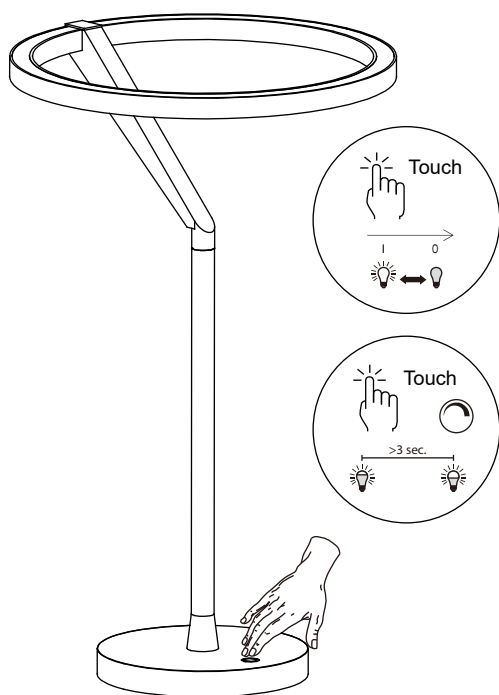
9088149



1. Click the cable into the lamp base



2. Plug it in power



3. Touch the button for turning the light on/ off & changing the opacity