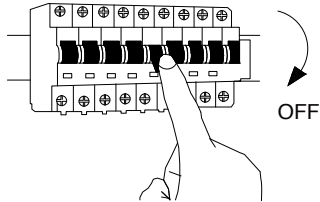


NOVA LUCE

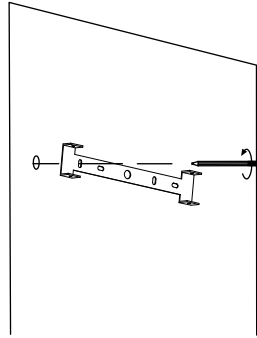
9130641

1



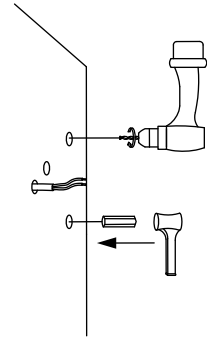
Turn off the general switch

2



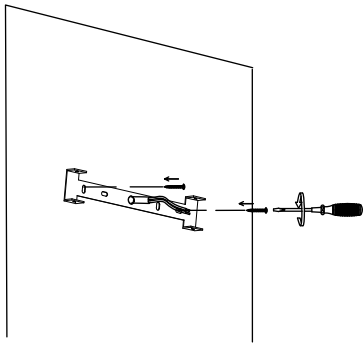
Mark where to drill holes

3



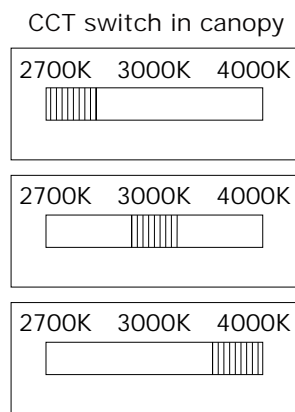
Make holes & apply anchors

4



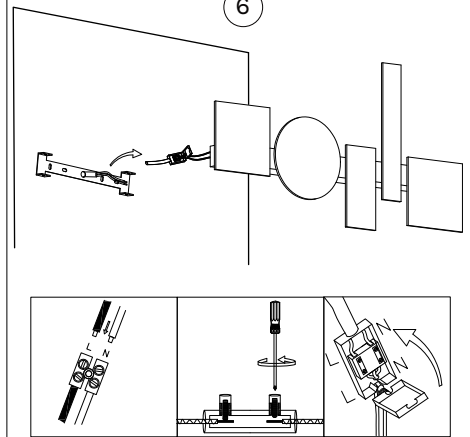
Tie up the screws to make it stable

5



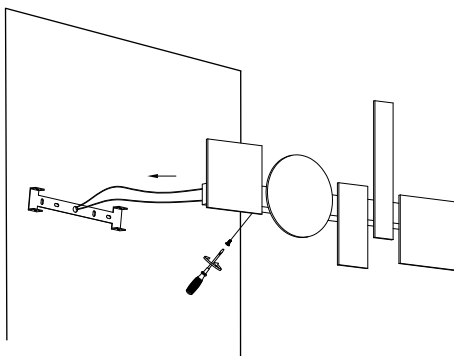
Choose the color temperature

6



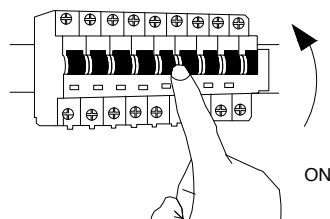
Connect the wires

7



Put it in place & Apply side screws

8



Turn on the general switch

9

