



# Installation

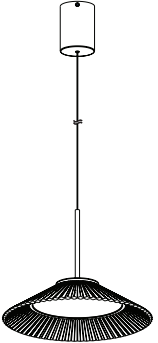
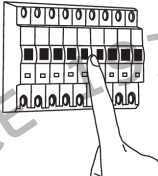
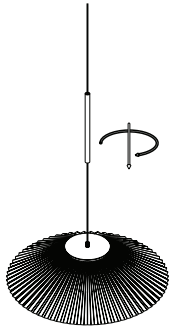
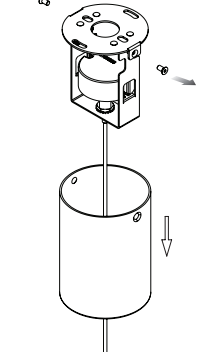
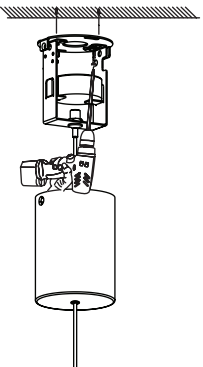
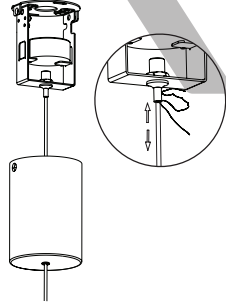
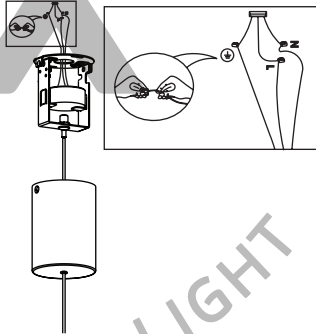
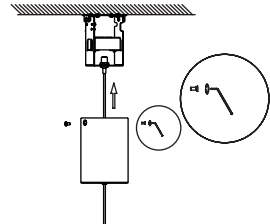
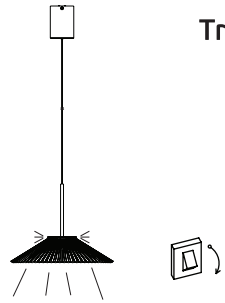
## VK/04693/PE

SINCE 1978



LEADING LIGHT

Please read the instructions carefully before commencing assembly

<p><b>LED PENDANT LIGHT</b></p>  <p><b>(E) Warnings:</b></p> <p><b>General use</b></p> <ul style="list-style-type: none"> <li>The lamp gets hot after prolonged use, therefore, do not cover the product.</li> </ul> <p><b>Cleaning instructions</b></p> <ul style="list-style-type: none"> <li>Before cleaning, ensure that the power supply is switched off. Wipe surface of lamp shade with a soft cloth.</li> <li>Do not use any abrasive cleaning tools such as steel wool, scouring sponges or stiff brushes.</li> <li>Never use strong cleaning agents such as white spirit, household glass cleaner or cellulose thinners.</li> </ul> <p><b>Safety precautions</b></p> <ul style="list-style-type: none"> <li>The appliance should be installed, connected and tested by qualified electrician and in accordance with local regulations.</li> <li>Turn off the power supply before installation or maintenance of the lamp, and make sure that the cables are not squeezed or damaged by sharp edges during installation.</li> <li>The lamp should not be covered by insulation blankets or similar materials.</li> </ul>	<p><b>1</b></p>  <p><b>TURN OFF POWER! COUPEL LE COURANT! STROMABSHALTEN! CORTE CORRIENTE!</b></p>	<p><b>2</b></p> 	<p><b>3</b></p> 	<p><b>4</b></p> 
	<p><b>5</b></p> 	<p><b>6</b></p> 	<p><b>7</b></p> 	<p><b>8</b></p>  <p><b>Triac Dimmable</b></p>

VK Leading Light / Vaios I. Karakostas S.A. Imports - Exports Trade

A: 8 Aristotelous St, Tavros, 177 78 Athens, Greece T: +30 210 99 69 610-11, +30 210 34 58 072, +30 210 34 58 075  
 F: +30 210 99 58 374 E: info@vkleadinglight.gr W: vkleadinglight.gr